

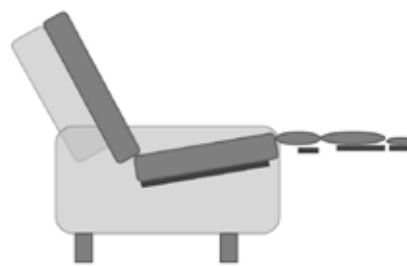


KEY FEATURES & BENEFITS :

- Mechanism designed to transform stationary furniture into power motion
- Motorized footrest extension, no inclination of the back
- Accomodates leg height of max 15 cm
- Available in power only
- 136 kg weight capacity



Closed position



TV position

| | | | | | | | | | | | | | | |
|------------------|------|-------|-------|-------|-------|-------|-------|-------|-------|-------|-------|-------|-------|-------|
| Available sizes* | dash | 0 | 1 | 2 | 3 | 4 | 5 | 6 | 7 | 8 | 9 | 10 | 11 | 12 |
| | mm | 483 | 514 | 540 | 565 | 578 | 594 | 616 | 641 | 708 | 730 | 773 | 787 | 857 |
| | inch | 19.00 | 20.25 | 21.25 | 22.25 | 22.75 | 23.38 | 24.25 | 25.25 | 27.88 | 28.75 | 30.44 | 31.00 | 33.75 |

Distance between arm mounting

*Available sizes on demand

MOTORIZATION

POWERCABLE



TRANSFO



EXTENTION



Extension cord 3,5m

MOTOR



Alphadrive motor

HANDSET



Handset Styline
(1 motor recliner)



Chair control SL
2 buttons



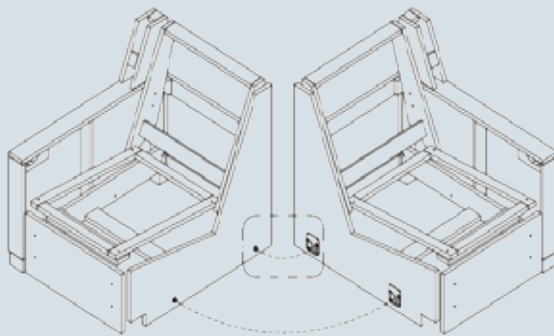
Pureline
2 buttons



Touch sensor

ACCESSORIES

MODULAR CONNECTING KIT FOR 2/3 SEATER



A



B



C



D

- A. Connecting plate (J-slot) - 2 pcs
- B. Shoulder bolt - 2 pcs
- C. Steel washer - 2 pcs
- D. T-nut - 2 pcs

SET FINGER GUARD



Plastic shield - 2 pcs



Black button - 4 pcs